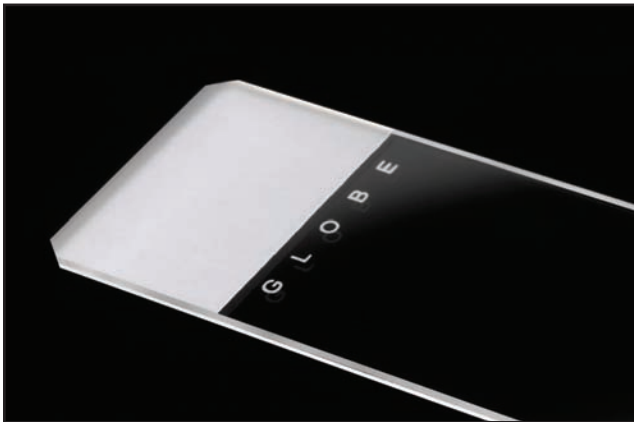


Microscope Slides, Beveled Edges, Clipped Corners

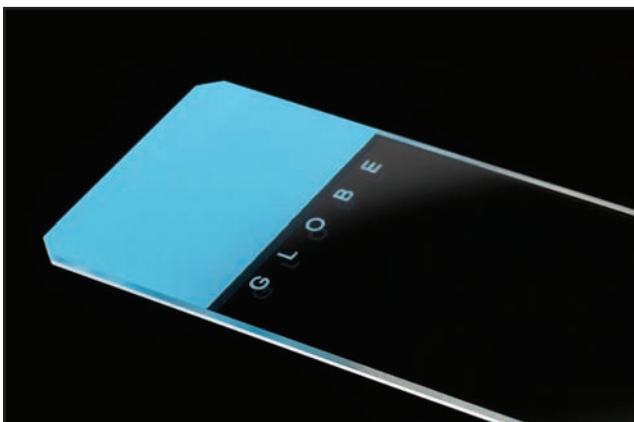
Item# 1331 / 1334 / 1338 / 1334B, 1334G, 1334P, 1334W, 1334Y



1331 - Plain slide



1334 - Frosted slide



1334B - Blue color coded slide

Description

Globe Scientific's classic microscope slides are produced from the highest quality soda lime glass and are ideal for use in all routine applications. These beveled edge microscope slides are ideal for performing blood smears. The highly polished edges are specially angled at 45° to provide a secure grasp during the smearing process. The slides provide excellent quality while offering substantial savings. They are available in plain, frosted and color coded varieties.

Features

- Highest quality soda lime glass
- All slides are pre-cleaned and ready to use
- Available plain, frosted and color coded
- Clipped corners, beveled edges
- Dimensions: 25mm x 75mm (±0.5mm)
- Thickness: 1.1mm (±0.05mm)

Packaging:

- 72/box,
20 boxes/case
(10 gross)

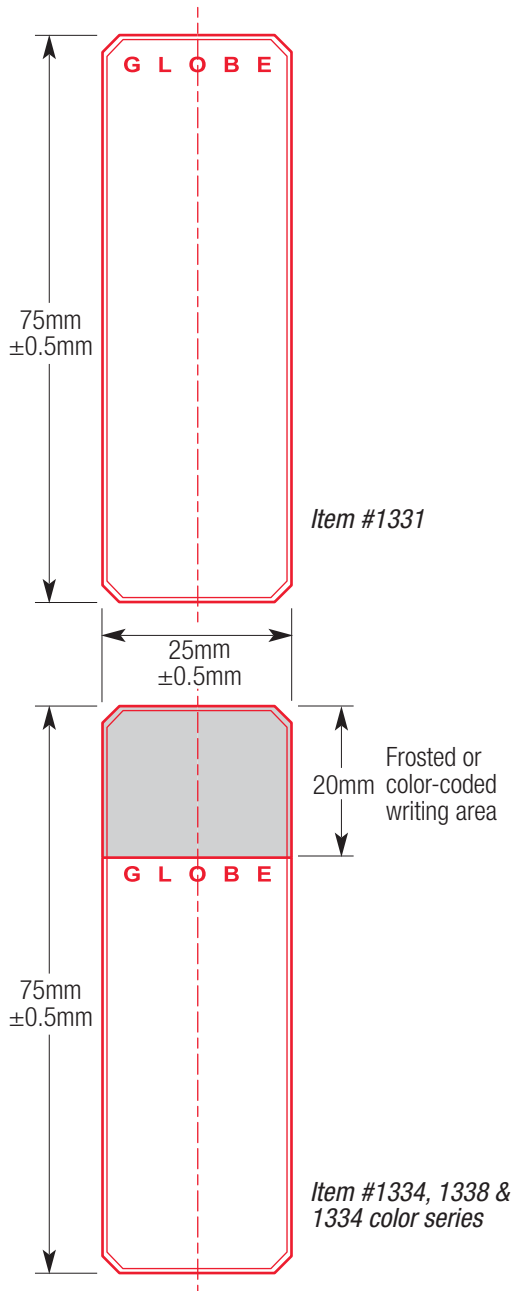


Products

Item#	Description	Unit
1331	Plain	1440
1334	Frosted 1 end, 1 side	1440
1338	Frosted 1 end, 2 sides	1440
1334B	Frosted, blue ●	1440
1334G	Frosted, green ●	1440
1334P	Frosted, pink ●	1440
1334W	Frosted, white ○	1440
1334Y	Frosted, yellow ●	1440

Microscope Slides, Beveled Edges, Clipped Corners

Item# 1331 / 1334 / 1338 / 1334B, 1334G, 1334P, 1334W, 1334Y



Technical Specifications

Dimensions:

Width: 25mm (±0.5mm)

Length: 75mm (±0.5mm)

Thickness: 1.1mm (±0.05mm)

Chemical Composition: Substance by Weight(%)

Silicon Dioxide, SiO₂: 70~73

Alkaline Oxide, R₂O: 13~15

Calcium Oxide, CaO: 7~12

Magnesium Oxide, MgO: 1.0~4.5

Aluminum Oxide, Al₂O₃: 1.0~2.0

Ferric Oxide, Fe₂O₃: 0.08~0.14

Physical and Chemical Properties:

Thermal Coefficient of Expansion: (20°C~350°C) 90×10⁻⁷/°C

Softening Point: 730.0°C

Annealing Range: 540°C

Strain Point: 500°C

Specific Heat Capacity: 0.18cal/g°C

Thermal Conductivity: 0.65kcal/mh°C

Density: 2.5 g/cm³

Moh's Hardness: 6.5

Transmittance (400-700nm): 90%

Refractive Index: 1.52

Reflectivity: 4%

Stability and Reactivity:

Stability: Stable

Hydrolytic Resistance: Hydrolytic Class-HGB3 (ISO 719 or GB/T 6582)

Acid Resistance: Acid Class-H2 (DIN 12 116 or GB/T 15728)

Alkali Resistance: Alkali Class-A2 (DIN ISO 695 or GB/T 6580)

Hazardous Decomposition: Stable

Materials to Avoid: Strong Hot Alkali Solutions (Hydrofluoric, Fluosilicic and Phosphoric)



Customer service, sales and technical support:

Phone 1 (800) 394-4562 • 1 (201) 599-1400

Fax 1 (201) 599-1406

E-mail mail@globescientific.com

Globe Scientific Inc.

400 Corporate Drive • Mahwah NJ 07430

www.globescientific.com