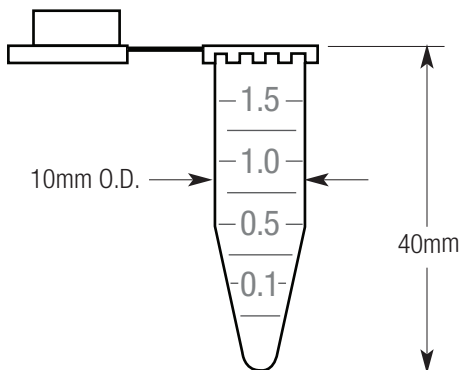


1.5mL Graduated Microcentrifuge Tubes with Attached Snap Cap, Polypropylene (PP)

Item# 111558/111558B/111558P/111558Y



Description

Graduated microcentrifuge tube, 1000/pack. 1.5mL capacity. Attached snap cap. Molded graduations. These polypropylene tubes are resistant to most chemical reagents and can be autoclaved at 121°C. Available in clear, blue, pink and yellow.

Features

- Polypropylene (PP)
- Attached snap cap
- Conical bottom
- Molded graduations

Products

Item#	Description	Packaging
111558	1.5mL, PP, clear	1000 per pack
111558B	1.5mL, PP, blue	1000 per pack
111558P	1.5mL, PP, pink	1000 per pack
111558Y	1.5mL, PP, yellow	1000 per pack

Technical Specifications

Material: Polypropylene (PP)
 Autoclavable: Yes. 121°C for 20 minutes
 Temperature range: -10°C to +50°C
 Spin rate: 25,000 x g

Product Certifications

- CE — This product fulfills the requirements of Directive 98/79/EC on in vitro diagnostic medical devices
- ISO 13485:2003